

Scale 1:1
Please see Page. 2 / 2

Note.
Standard nut M4 = 8 pcs.
Lock washer M4 = 8 pcs
put it in a separate zip bag in the package

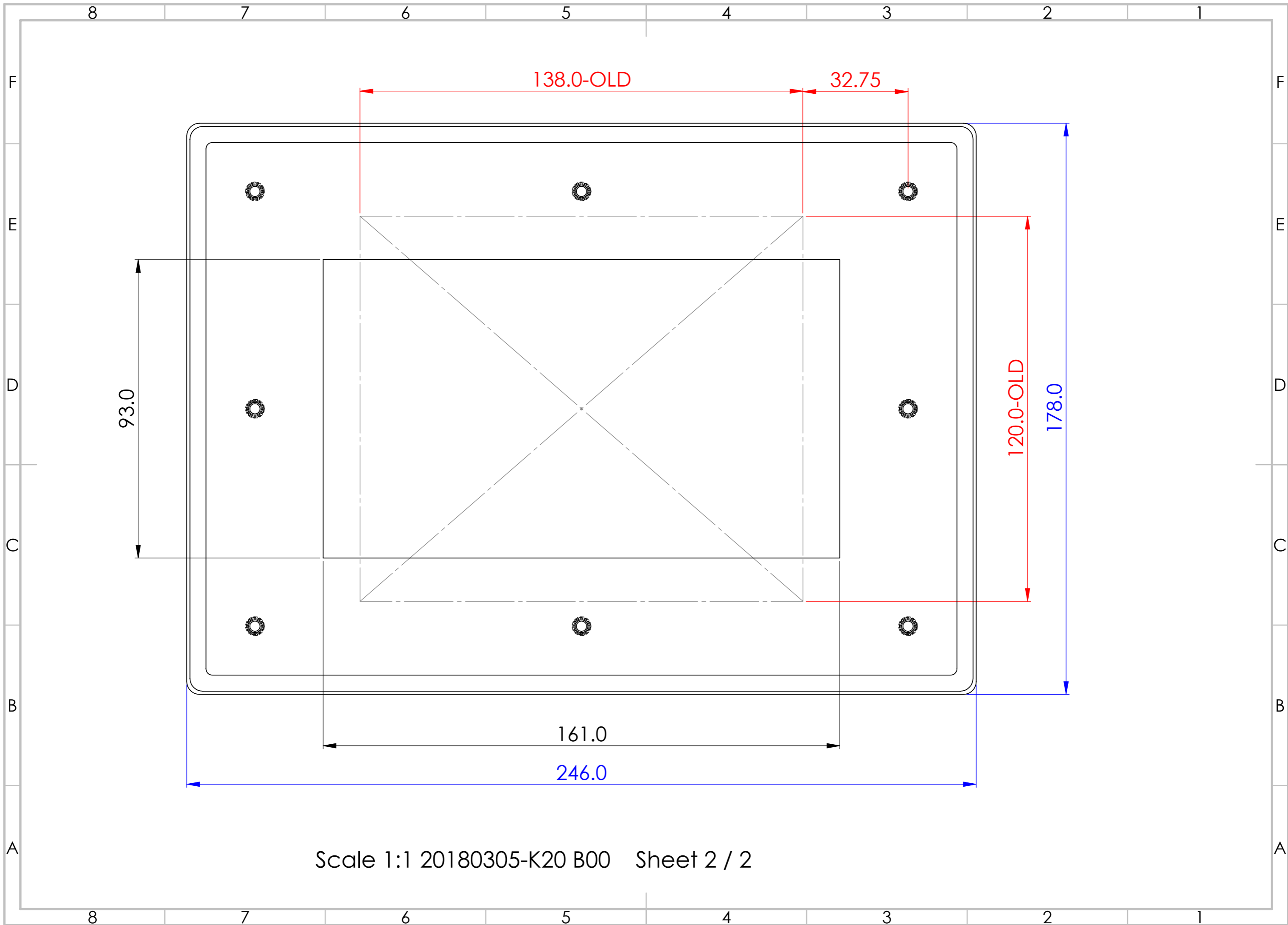


Sheet 1 / 2

ITEM NO.	PART NUMBER	DESCRIPTION	QTY.
1	EXTER K20	EG 2.0 mm.	1
2	PEM FH-M4-12 X--N		8
3	Gasket K20	T= 2.0 mm	1
4	170000030	NUT M4	8
5	1721480160	Lock Washer M4	8
6	2200000504	POWDER PAINT Interpon 610 Silver Fine Texture	.01

All dimensions are in millimeter.

<small>GPV Asia (Thailand) Co., Ltd. 88 Moo 4, Bangpoo Industrial Estate Soi 11-12, Surasimn Road, Bangpoo Bangkok 10140, Thailand Tel: +66 (0) 2709 2550 Fax: +66 (0) 2709 2564</small>		MATERIAL: - SURFACE TREATMENT: CUSTOMER: Beijer CUSTOMER/NO.: DESCRIPTION: Adaptor plate from K20/E1022 to X2 base 5 GPV ITEM NO.: 20180305-K20 B00 PROJECT NO.:	THIS DRAWING REMAINS THE EXCLUSIVE PROPERTY OF THE GPV GROUP. IT SHALL NOT BE COPIED, REPRODUCED, DISCLOSED IN PART OR IN WHOLE, OR OTHERWISE MADE AVAILABLE TO THIRD PARTY WITHOUT OUR PREVIOUS WRITTEN CONSENT. Surface: mm ² Weight: g. SCALE: 1:1 A3 CHECKED QCC DATE:
--	--	---	---



Scale 1:1 20180305-K20 B00 Sheet 2 / 2